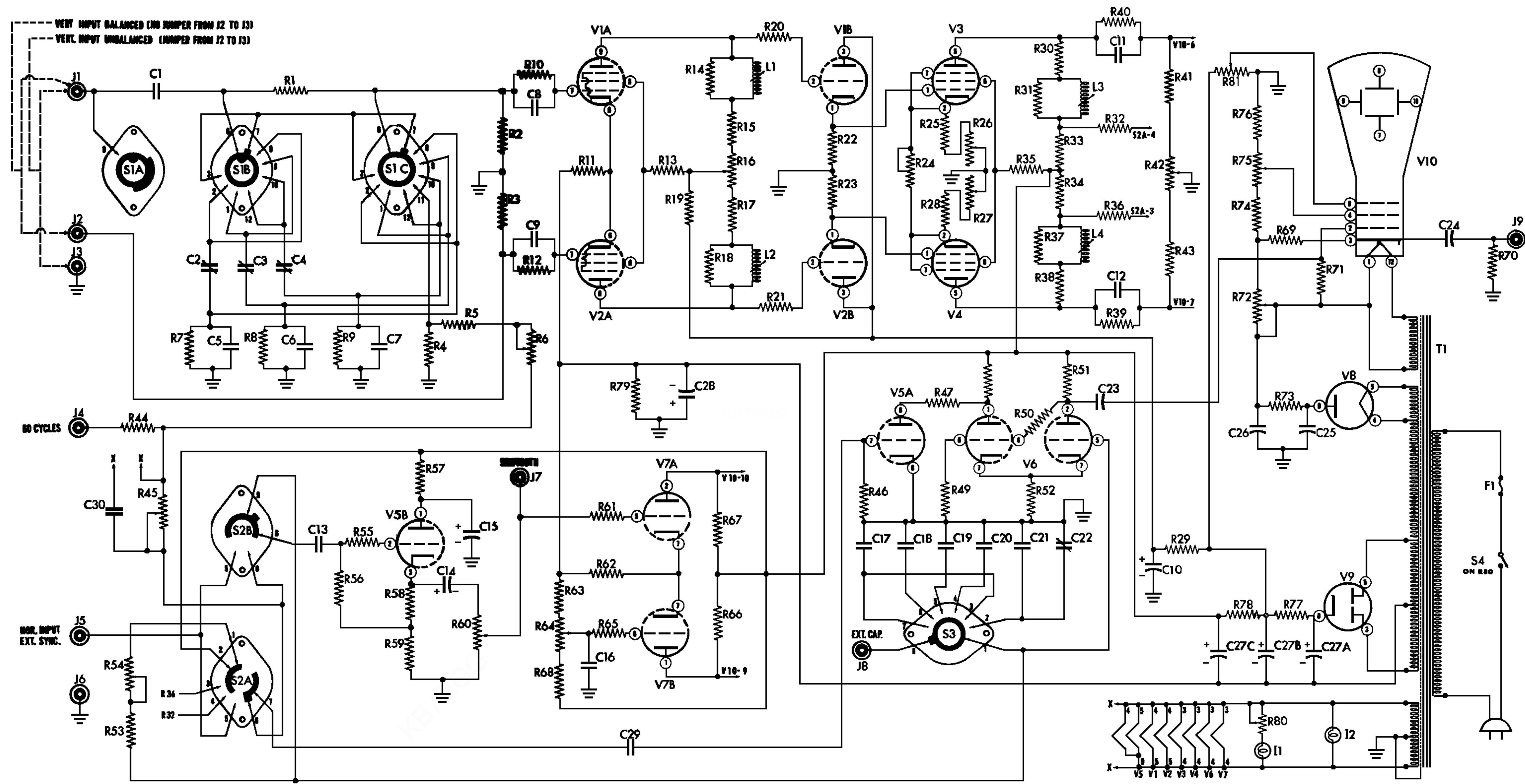


Sym.	Description	Sym.	Description
C1	cap., .1 mfd	R31	res., 22KΩ, 1/2W, 10%
C2	cap., trimmer 3-13 mfd	R32	res., 22KΩ, 1/2W, 10%
C3	cap., trimmer 3-13 mfd	R33	res., 820Ω, 1W, 5%
C4	cap., trimmer 3-13 mfd	R34	res., 820Ω, 1W, 5%
C5	cap., 100 mmf	R35	res., 8.2KΩ, 2W, 10%
C6	cap., 1000 mmf	R36	res., 22KΩ, 1/2W, 10%
C7	cap., .01 mfd	R37	res., 22KΩ, 1W, 10%
C8	cap., .01 mfd	R38	res., 2.2KΩ, 2W, 10%
C9	cap., .01 mfd	R39	res., 1 megΩ, 1/2W, 10%
C10	cap., 16 mfd-350V	R40	res., 1 megΩ, 1/2W, 10%
C11	cap., .025 mfd	R41	res., 2.2 megΩ, 1/2W, 20%
C12	cap., .025 mfd	R42	pot., 10 megΩ, (vert. posn.)
C13	cap., .25 mfd	R43	res., 2.2 megΩ, 1/2W, 20%
C14	cap., 50 mfd-50V	R44	res., 1KΩ, 1/2W, 20%
C15	cap., 10 mfd-150V	R45	pot., 100KΩ (phasing)
C16	cap., .25 mfd	R46	res., 2.2 megΩ, 1/2W, 20%
C17	cap., .1 mfd	R47	res., 22KΩ, 1/2W, 10%
C18	cap., .01 mfd, 10%	R48	res., 10KΩ, 2W, 10%
C19	cap., .001 mfd, 10%	R49	res., 33KΩ, 1/2W, 5%
C20	cap., 68 mmf	R50	res., 22KΩ, 1/2W, 10%
C21	cap., 270 mmf	R51	res., 100KΩ, 1W, 10%
C22	cap., trimmer, 5-80 mmf	R52	res., 4.7KΩ, 2W, 10%
C23	cap., .1 mfd-1000V	R53	res., 680KΩ, 1/2W, 20%
C24	cap., .01 mfd-1000V	R54	pot., 10 megΩ, (sweep)
C25	cap., .1 mfd-1000V	R55	res., 100Ω, 1/2W, 5%
C26	cap., .1 mfd-1000V	R56	res., 2.2 megΩ, 1/2W, 20%
C27	cap., 3 X 20 mfd-450V	R57	res., 100KΩ, 1W, 10%
C28	cap., 50 mfd-50V	R58	res., 2.2KΩ, 1/2W, 10%
C29	cap., .1 mfd	R59	res., 22KΩ, 1/2W, 10%
C30	cap., .25 mfd	R60	pot., 10KΩ (hor. gain)
F1	fuse, 1 amp	R61	res., 100Ω, 1/2W, 20%
I1-2	bulb, #47	R62	res., 6.8KΩ, 1W, 10%
L1-4	coil, var. 100 uh	R63	res., 22KΩ, 1/2W, 10%
R1	res., 3.3 meg, 1/2W, 5%	R64	pot., 50KΩ (hor. posn.)
R2	res., 3.3 meg, 1/2W, 5%	R65	res., 100Ω, 1/2W, 20%
R3	res., 3.3 meg, 1/2W, 5%	R66	res., 47KΩ, 1W, 10%
R4	res., 91Ω, 1/2W, 5%	R67	res., 47KΩ, 1W, 10%
R5	res., 820Ω, 1/2W, 5%	R68	res., 470KΩ, 1/2W, 10%
R6	pot., 2KΩ (cal.)	R69	res., 15KΩ, 1/2W, 10%
R7	res., 360KΩ, 1/2W, 5%	R70	res., 2.2 megΩ, 1/2W, 20%
R8	res., 33KΩ, 1/2W, 5%	R71	res., 220KΩ, 1/2W, 10%
R9	res., 3.3KΩ, 1/2W, 5%	R72	pot., 250KΩ (intensity)
R10	res., 220KΩ, 1/2W, 10%	R73	res., 220KΩ, 1W, 10%
R11	res., 820Ω, 2W, 10%	R74	res., 470KΩ, 1W, 10%
R12	res., 220KΩ, 1/2W, 10%	R75	pot., 2 megΩ (focus)
R13	res., 3.9KΩ, 2W, 10%	R76	res., 2.2 megΩ, 1W, 10%
R14	res., 10KΩ, 1/2W, 10%	R77	res., 500Ω, 5W, 10%
R15	res., 2.2KΩ, 2W, 10%	R78	res., 500Ω, 5W, 10%
R16	pot., 2KΩ (dc bal.)	R79	res., 500Ω, 5W, 10%
R17	res., 2.2KΩ, 2W, 10%	R80	pot., 75Ω, W.W. (scale light)
R18	res., 10KΩ, 1/2W, 10%	R81	pot., 2 megΩ (astigm.)
R19	res., 2.5KΩ, 5W, 10%	S1	9 posn. switch (vert. atten.)
R20	res., 100Ω, 1/2W, 20%	S2	6 posn. switch (hor. sel.)
R21	res., 100Ω, 1/2W, 20%	S3	1P-7 posn. switch (sweep sel.)
R22	res., 47KΩ, 1W, 10%	T1	power transformer
R23	res., 47KΩ, 1W, 10%	V1-2	tube, 6AU8
R24	pot., 2.5KΩ (vert. gain)	V3-4	tube, 6CB6
R25	res., 4.7KΩ, 2W, 10%	V5	tube, 12AU7
R26	pot., 5KΩ, W.W. (lin adj.)	V6-7	tube, 6J6
R27	pot., 5KΩ, W.W. (lin adj.)	V8	tube, 1V2
R28	res., 4.7KΩ, 2W, 10%	V9	tube, 6AX5
R29	res., 2.5KΩ, 5W, 10%	V10	tube, 5U1 (CRT)
R30	res., 2.2KΩ, 2W, 10%		



VERT. ATTEN. S1 SWITCH POSITION

	AC				CAL	DC			
	1	10	100	1000		1000	100	10	1
S1A	NC					5 to common rotor of A & B*			
S1B	6-7	6-8	6-9	6-10	NC	6-12	6-1	6-2	6-3
S1C	6-7	6-8	6-9	6-10	6-11	6-12	6-1	6-2	6-3

* The construction of Switch S1 is such that rotors A and B are electrically connected.

HOR. SELECTOR S2 SWITCH POSITION

	SYNC-SWEEP				HOR.	
	60CPS	EXT	+	-	60CPS	EXT
S2A	1-2 7-6	1-2 7-5	1-2 7-4	1-2 7-3	NC	NC
S2B	8-9	8-9	8-9	8-9	8-6	8-5

SWEEP SELECTOR S3 SWITCH POSITION

EXT. CAP	10-100	100-1K	1K-10K	10K-100K	TV-V	TV-H
1-8	1-7	1-6	1-5	1-4	1-3	1-2

MODEL 460

DC-WIDE BAND OSCILLOSCOPE

ELECTRONIC INSTRUMENT CO., Inc.
84 Withers Street, Brooklyn, N. Y.

